

MQ THE COMPLETE WATER SUPPLY SOLUTION



The MQ delivers the complete solution, all components in the MQ are fully integrated, ensuring a simple, effective and speedy installation. The system consists of a pump, motor, diaphragm tank, non-return valve and pump control. Everything comes in one unit that cuts out complicated and awkward assembly.

The MQ delivers the complete solution, whether it is pumping

water from a well or increasing mains pressure. Once filled with water the MQ can guarantee lifting from a depth as low as 8 metres. The innovative water-cooled motor means your customers also benefit from silent operation. With over 1 million MQ pumps in use around the world this is a pump that actively helps you guarantee professional performance.

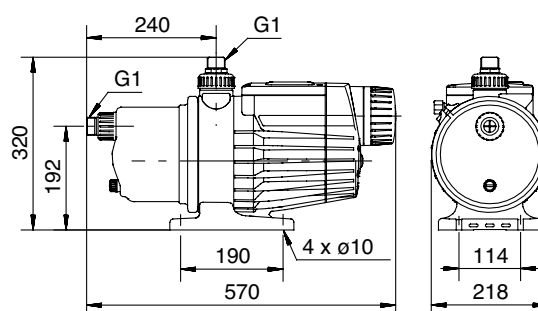
TECHNICAL DATA

Mains voltage	1 x 220-240 V, 50 Hz
Enclosure class	IP54
Insulation class	B
Sound pressure level	≤ 55 dB(A)
Marking	CE
Approvals, drinking water	UL778, Outdoor rating (with cover) ACS CSA 22.2

OPERATING CONDITIONS

System pressure	Max. 7.5 bar
Inlet pressure	Max. 3 bar
Suction lift	Max. 8 m
Liquid temperature	0 °C to +35 °C
Ambient temperature	0 °C to +45 °C

DIMENSIONS



Pump type	Voltage	$I_{1/1}$ [A]	I_{start} [A]	P_1 [W]	Net weight [kg]
MQ 3-25	1 220x240 V	3.3	11.7	600	13.0
MQ 3-35	1 220x240 V	4.0	11.7	850	13.0
MQ 3-45	1 220x240 V	4.5	11.7	1000	13.0



MQ FEATURES

Dry run protection

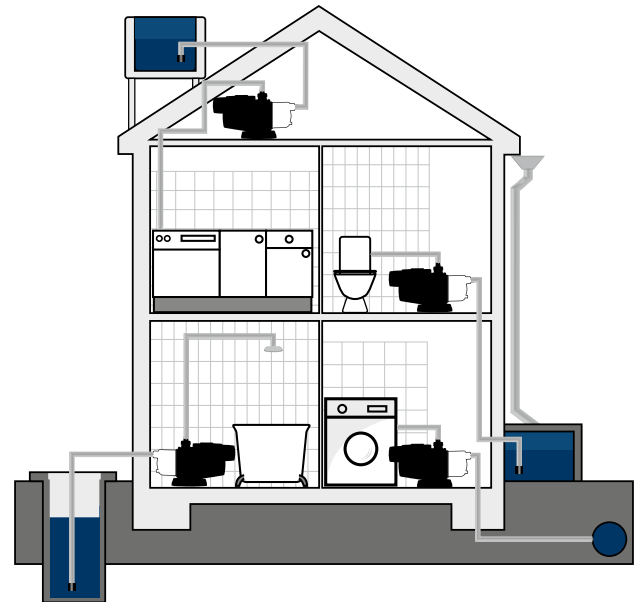
The built-in controller protects the pump in case of loss of water supply (i.e. dry running) and motor overheating.

Self-priming pump

The MQ is able to pump water from a level below the pump. Provided it is filled with water, the pump is able to lift water from a depth of 8 m.

Silent operation

Thanks to its hydraulic design and internal cooling, the pump is extremely silent, which makes it ideal for indoor as well as outdoor use.



Boosting from breaktank



Boosting of mains



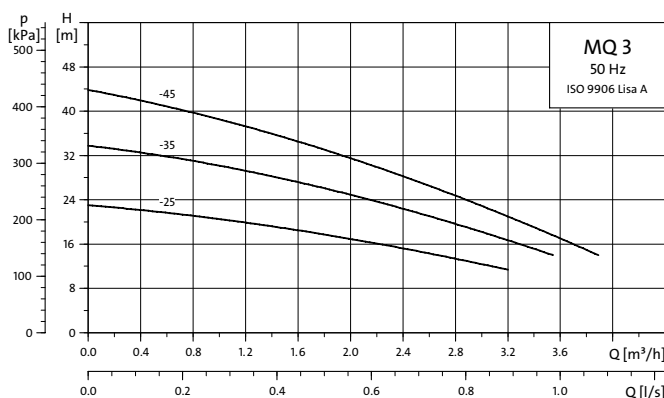
Water supply from well/tank

PRODUCT RANGE, 1 X 220-240 V

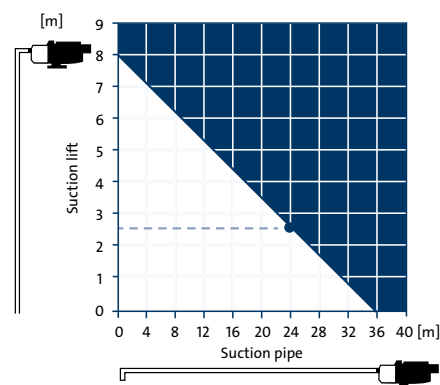
Region	Pump type	Plug type					Product number
		Schuko	Swiss	Danish	Australian	Without plug	
All 50 Hz markets, except for UK, Ireland, Australia	MQ 3-25	•					96515520
	MQ 3-35	•					96515412
	MQ 3-35		•				96515413
	MQ 3-35			•			96515414
	MQ 3-45	•					96515415
	MQ 3-45		•				96515416
	MQ 3-45				•		96515417
UK, Ireland	MQ 3-35					•	96515418
	MQ 3-45					•	96515419
Australia	MQ 3-35				•		96515510
	MQ 3-45				•		96515511

All pumps are supplied with a 2 m cable

PERFORMANCE RANGE



MAXIMUM SUCTION LIFT



GRUNDFOS Holding A/S
Poul Due Jensens Vej 7
DK-8850 Bjerringbro
Tel: +45 87 50 14 00
www.grundfos.com

